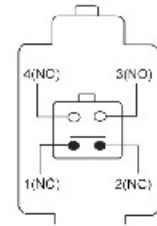


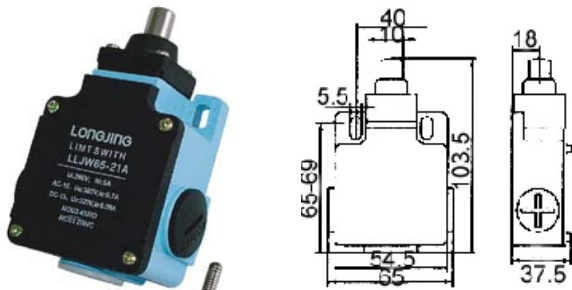
## LLJW65 Limit Switch 行程开关

双断开机械功用 Double Break Mechanism	INO+INC Force Break snap action强迫断开快速机芯
额定电压/电流 Rated Voltage / Current	10(4)A, 125,250VAC/6(2)A, 380VAC For inductance Load, CosΦ=0.4
接触电阻 Contact Resistance	25mΩ max.(initial value)
绝缘电阻 Insulation Resistance	100mΩ min.(at 500VDC)
电介强度 Dielectric Strength	1000VAC,50/60 Hz for 1 minute between terminals of the same polarity 1500VAC,50/60 Hz for 1 minute between current-carrying and non-current-carrying metal parts 1500VAC,50/60 Hz for 1 minute between each terminal and ground
电气寿命 Electrical Life	500,000 at 10A 250VAC Resistive
机械寿命 Mechanical Life	10,000,000 operations mir.(under rated conditions)
操作速度 Operating Speed	5mm/s to 0.5m/s
防水防尘能力 Degree of Protection	IP66(防压力水柱级 resist water pressure)
上升温度 Ambient Temperature Rised	Max 30°C over ambient temperature at rated voltage/current
合乎标准 Conformed Standards	Cenelec EN 50041, EN 50047, IEC 337-1, VDE 0660
操作温度 Operating Temperature	-10°C ~ +70°C ( with no icing )
保存温度 Storage Temperature	-10°C ~ +70°C ( with no icing )
湿度 Ambient Operating Humdity	< 95%RH
冲击系数 Shock Resistance	Mechanical durable:1000m/s <sup>2</sup> min. Malfunction:300m/s <sup>2</sup> min.
振动频率 Vibration Frequency	Malfunction:10 to 55Hz,1.5mm double amplitude
端子螺丝扭力 Terminal Screw Torsional Force	6-8 kgf-cm
其他螺丝扭力 Other Screw Torsional Force	Cover 12-14 kgf-cm/Head 8-9 kgf-cm/Mounting 50-60 kgf/cm
裸铜线尺寸 Bare Wire Diameter	Φ2 Max
电缆尺寸 Cable Diameter	Φ12 Max(IP65 if use cable Φ8-9)

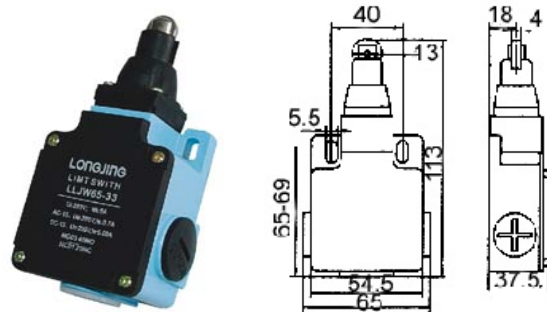
接触形式 Contact Type



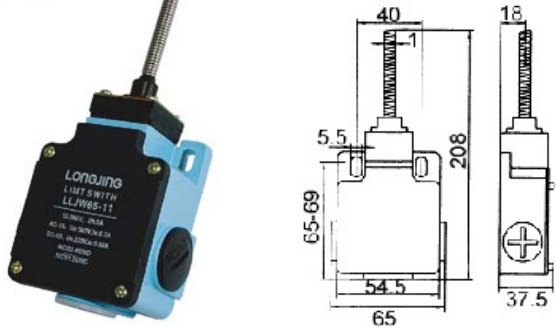
LLJW65-21A



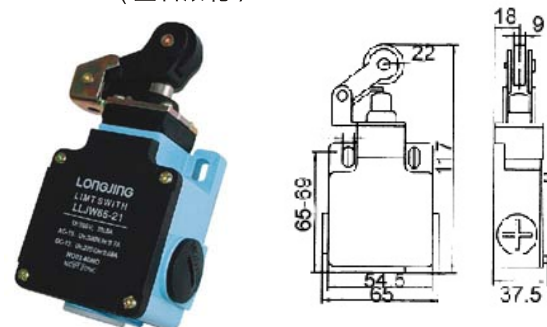
LLJW65-33



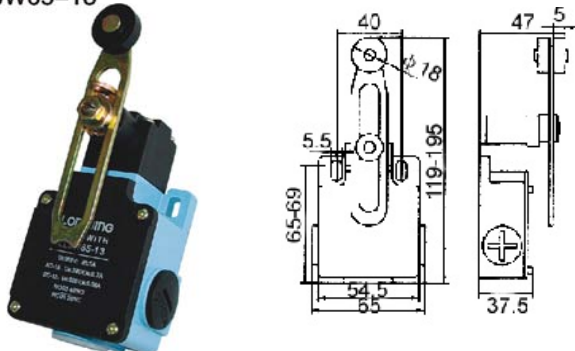
LLJW65-11



LLJW65-21 (塑料滚轮)



LLJW65-13



LLJW65-12 (塑料滚轮)

