

LQGX Series Height Limiter 系列高度限制器

使用范围 Sphere of application:

各类起重机、电梯、升降舞台、高尔夫球场、保龄球馆等有位移机械设备，能有效防止冲顶、出轨、坠落等设备和人员事故，应用极其广泛。

本装置包含变速箱和四档可调限位开关。（可根据用户需要增至12档）

Every displacement machine like crane, elevator, drop stage, golf course, bowling alley etc. It can prevent to rush to summit, off of track, falling and the other accident effectively, to be used extensive.

The equipment include gear-box and limit switch which can adjust four gears. (It can be adjust to twelve gears)

技术指标

环境温度：-25℃ ~ +60℃

限位开关额定电压：AC380V

限位开关额定电流：AC380V, 2.5A

起升高度：

LQGX-A型：卷筒有效工作圈数0~40圈（0~25圈）

LQGX-B型：卷筒有效工作圈数0~80圈（0~50圈）

LQGX-C型：卷筒有效工作圈数0~120圈（0~100圈）

限位开关：四个可调限位位置的限位开关（可根据需要选择常开或常闭）

Technical target

Temperature:-25℃~+60℃

Limit switch voltage rating:AC380V

Limit switch rated current:AC380V,2.5A

Lifting altitude

LQGX-A: number of active coil 0~40(0~25)

LQGX-B: number of active coil 0~80(0~50)

LQGX-C: number of active coil 0~120(0~100)

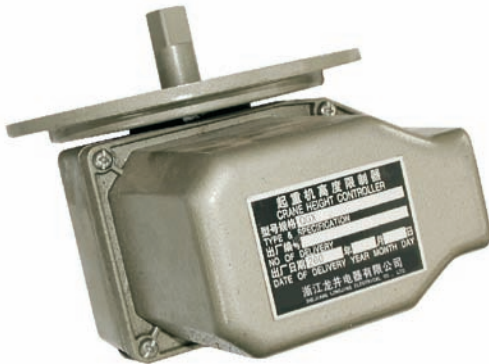
Limit switch: four limit switches which can be adjusted position(NO or NC according needs)

订货提示 Order attention

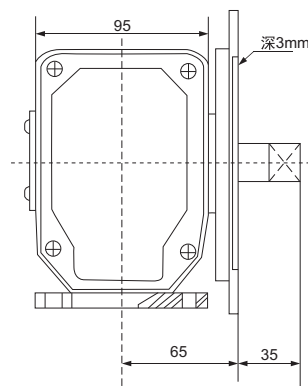
根据起重机械卷筒有效工作圈数选定型号（LQGX-A型、B型、C型），特殊要求可在订货时注明所需圈数或相关资料。

According the number of active coil to choose the model(LQGX-A,B or C),if you have the special require, please indicate the number of coil you need and the relevant information.

LQGX-A



(法兰连接 Flanged connection)
高度限制器 Height limiter



(内部结构 Internal structure)
高度限制器 Height limiter

