

LLJZS75S 紧急停止拉线开关

产品性能 Performance

安全拉线开关的安装要保证从机器设备任何一处都可操动到，通过拉及预张紧的拉绳子而产生一个紧急停止的信号。

Emergency stop pull-wire switches are employed wherever an emergency stop command must be available at any point on a machine, device or plant. An emergency stop command is triggered when pulling the pretensioned tug line.

LLJZS75S二开关含一肯定断开的常闭触点和一个常开触点；

LLJZS75S 2Ö/2S含二个肯定断开的常闭触点和二个常开触点；LLJZS754Ö四个肯定断开常闭触点。

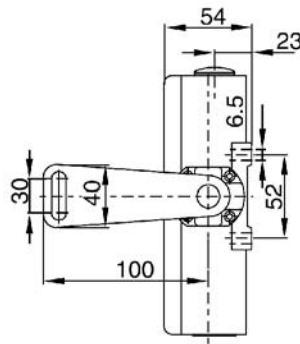
当拉绳被拉紧时，触点21-22及41-42（见图2）闭合，触点13-14断开。当拉绳被拉（图1）拉绳断开（图3）时，触点21-22断开，触点13-14闭合、对带锁定的拉线开关，比如LLJZS75V，当开关被拉绳断开时，常闭触点21-22断开和常开触点13-14闭合状态被锁定位，解锁可通过直接头VD或钥匙开锁VS来解锁。

The switches LLJZS 73 and LLJZS 75 are equipped with a positive break normally closed contact together with an additional normally open contact. Switch LLJZS 75S 2Ö/2S has two positive break normally closed contacts with two additional normally open contacts. The model LLJZS73 2Ö has two and the type LLJZS 75S 4Ö four positive break normally closed contacts.

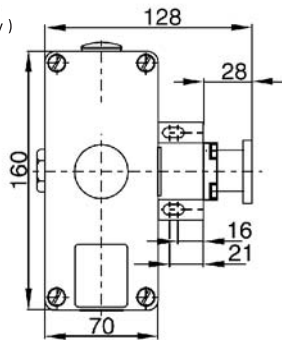
With the wire pretensioned the contacts 21-22 or 41-42 (as per Fig.2) are closed and 13-14 are open. Contacts 21-22 open and 13-14 close if the wire is pulled (Fig.1) or breaks (Fig.3). With emergency stop pull-wire switches with latching e.g. ZS 73 V or ZS 75V, contacts 21-22 are latched in the opened and 13-14 in the closed condition if the wire is pulled or in case of wire break.

Unlatch the contacts by using push button VD or key turn with VS-units.

- LLJZS75S-22WVD二常开二常闭2NO2NC (手动manually operation)
- LLJZS75S-02WVD二常闭2NC (手动manually operation)
- LLJZS75S-20WVD二常开4NO (手动manually operation)
- LLJZS75S-04WVD四常闭4NC (手动manually operation)
- LLJZS75S-40WVD四常开4NO (手动manually operation)



- LLJZS75S-22WVS二常开二常闭2NO2NC (带钥匙手动manually operation with key)
- LLJZS75S-02WVS二常闭2NC (带钥匙手动manually operation with key)
- LLJZS75S-20WVS二常开2NO (带钥匙手动manually operation with key)
- LLJZS75S-04WVS四常闭4NC (带钥匙手动manually operation with key)
- LLJZS75S-40WVS四常开4NO (带钥匙手动manually operation with key)



开关行程图 LLJZS 75S...Switching Diagram LLJZS 75...

